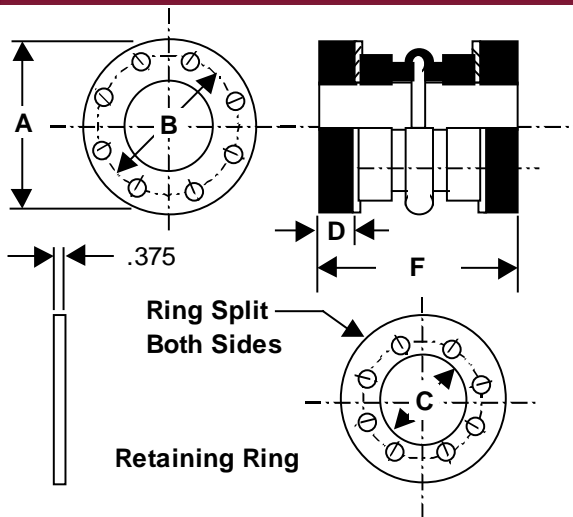
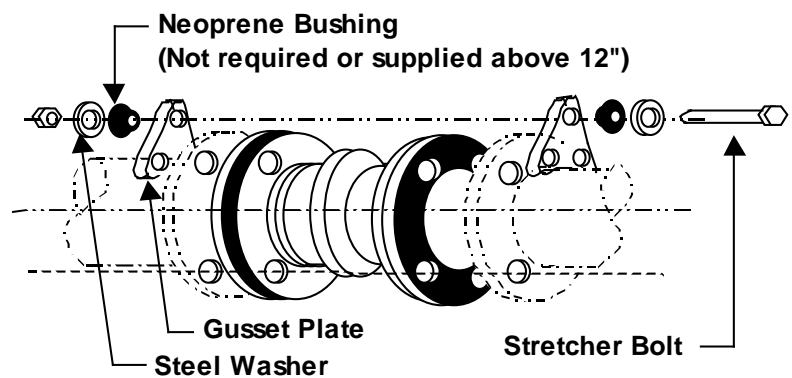


SPECIFICATIONS

TEMPERATURE: 300° F	PRESSURE:
VACUUM: 16" Hg	3" – 12": 150 PSIG
FLG. FIT: 125# (iron)	14": 135 PSIG
150# (steel)	16" – 20": 110 PSIG
ANSI drilling	24": 104 PSIG

MATERIALS OF CONSTRUCTION

- Polyester Reinforced EPDM
- Cast Ductile Iron Retaining Rings (Galvanized)
- Galvanized Control Units

DIMENSIONAL DATA – Without Control Units

DIMENSIONAL DATA – With Control Units


Nominal Size I.D.	Part Number		A	B	C	D	F	# Bolt Holes	Weight	
	W/o C.U.	W / C.U.							W/o C.U.	W / C.U.
3	HF00485044	HF00485074	7.50	6.00	4.13	0.44	6.00	4	8.50	17.00
4	HF00485045	HF00485075	9.00	7.50	5.13	0.44	6.00	8	10.00	18.00
5	HF00485046	HF00485076	10.00	8.50	6.13	0.44	6.00	8	12.50	21.00
6	HF00485047	HF00485077	11.00	9.50	7.13	0.44	6.00	8	16.50	26.00
8	HF00485048	HF00485078	13.50	11.75	9.25	0.50	6.00	8	22.00	35.00
10	HF00485049	HF00485079	16.00	14.25	11.25	0.50	8.00	12	34.00	53.00
12	HF00485050	HF00485080	19.00	17.00	13.38	0.50	8.00	12	45.00	65.00
14	HF00485051	HF00485081	21.00	18.75	15.50	0.56	8.00	12	55.00	82.00
16	HF00485059	HF00485082	23.50	21.25	17.50	0.56	8.00	16	64.00	91.00
18	HF00485060	HF00485083	25.00	22.75	19.63	0.63	8.00	16	71.00	100.00
20	HF00485052	HF00485084	27.50	25.00	21.63	0.63	8.00	20	82.00	111.00
24	HF00485061	HF00485085	32.00	29.50	25.88	0.75	10.00	20	102.00	148.00
30	HF00896822	HF00896821	38.75	36.00	31.50	0.75	10.00	28	150.00	213.00

PRODUCT NOTES

1. Specifications subject to change without notice
2. All dimensions are in inches and weights in pounds

Gardner Denver Engineered Products Division

100 Gardner Park, Peachtree City, GA 30269
 Phone: 800-982-3009 / 770-632-5000
 Fax: 770-486-5628
 E-mail: blowersmktg@gardnerdenver.com
 Web: www.gardnerdenver.com



"Over 145 Years of Leadership"