

VALVULAS

Modelo 215V, 337 Sección VIII, Vacío De Asme Aire/Gas, Válvulas De Seguridad Certificadas Tarjeta Nacional 'UV'

Descripciones Modelo

Model 337: Tiene dispositivo para la elevación 'tirar-anillo' para su fácil prueba .

Model 215V

Modelo usado para el servicio del vacío.

Límites de la presión y de la temperatura

Model 337: 1 a 60 psig -20o a 406oF

Model 215V: 2-inch HG a 29-inch HG -20o a 400oF

Aplicaciones

Protection of low to medium pressure high volume blowers, compressors and pneumatic conveying systems.

Bulk hauling trailers/equipment.

Light gauge tanks.

Protection of high volume vacuum pumps and conveying systems.

Opciones

Los SS cortan (inyector y disco) (variación 03)

Características y ventajas

Large nozzle design provides high capacity.

Flat bronze valve seats are lapped for optimum performance.

Warn ring offers easy adjustability for precise opening with minimum pre-open or simmer and exact blowdown control.

Pivot between disc and spring corrects misalignment and compensates for spring side thrust.

tyco



Propulsión NEUMÁTICA, S.A. de C.V.
Producción con aire

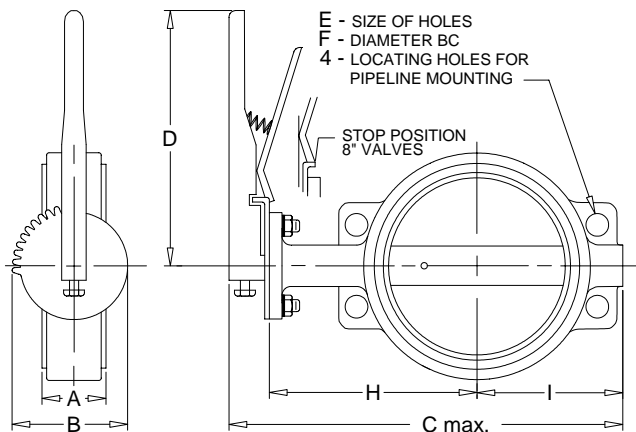
SPECIFICATIONS (3" – 8" VALVES)

TYPE: Wafer – Double Seated
 PRESSURE: 200 PSI CWP Max
 FLG. FIT: ASME 125# (iron) and 150# (steel) ANSI drilling
 FLOW: Bi-Directional
 BODY: ASTM A126 Class B ANSI B16.1 Cast Iron
 DISC: ASTM B148 Aluminum Bronze
 SEAT: EPDM
 SEAT TEMP.: Maximum 275°F
 SHAFT: ASTM A582 416 Stainless Steel
 ACTUATOR: 10 position locking lever

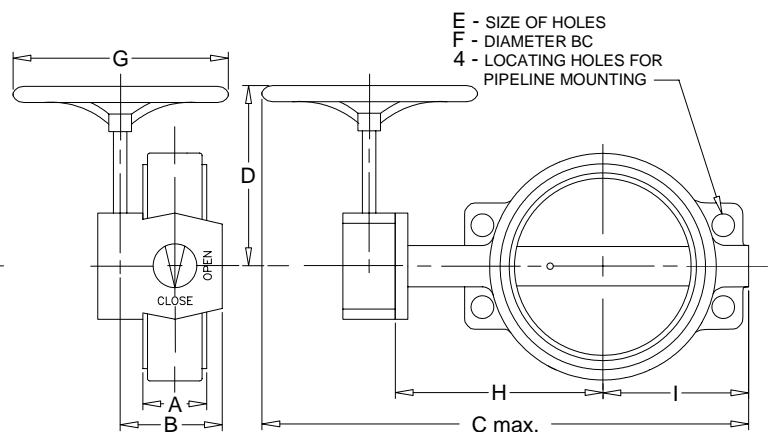
SPECIFICATIONS (10" – 24" VALVES)

TYPE: Wafer – Double Seated
 PRESSURE: 200 PSI CWP Max
 FLG. FIT: ASME 125# (iron) and 150# (steel) ANSI drilling
 FLOW: Bi-Directional
 BODY: 10" & 12" ASTM A126 Class B ANSI B16.1 Cast Iron
 14" – 24" ASTM A395 ANSI B16.42 Ductile Iron
 DISC: ASTM B148 Aluminum Bronze
 SEAT: EPDM
 SEAT TEMP.: Maximum 275°F < 18 inch valves ≥ 225°F
 SHAFT: ASTM A582 416 Stainless Steel
 ACTUATOR: Hand wheel gear

DIMENSIONAL DATA – Lever Actuator



DIMENSIONAL DATA – Gear Actuator



PART No.	SIZE	ACT.	A	B	C	D	E	F	G	H	I	WGT.
VP1005971	3	Lever	1.88	2.25	12.38	10.50	.69	6.00	N/A	7.13	4.00	11.8
VP1005972	4	Lever	2.13	2.25	14.00	10.50	.69	7.50	N/A	7.88	4.88	13.1
VP1005973	5	Lever	2.25	2.25	15.00	10.50	.81	8.50	N/A	8.38	5.38	19.8
VP1005974	6	Lever	2.25	2.25	16.00	10.50	.81	9.50	N/A	8.88	5.88	21.8
VP1005368	8	Lever	2.50	3.34	19.75	14.00	.81	11.75	N/A	10.25	7.75	36.0
VP1024063	10	Gear	2.75	6.36	27.28	9.04	.94	14.25	12	11.50	8.25	73.7
VP1005976	12	Gear	3.13	6.36	30.53	9.04	.94	17.00	12	13.25	9.75	101.7
VP1024065	14	Gear	3.13	6.36	33.03	9.04	1.06	18.75	18	14.50	11.00	126.7
VP1024066	16	Gear	3.50	10.00	39.09	11.08	1.06	21.25	18	15.75	12.00	194.4
VP1024067	18	Gear	4.25	10.00	42.91	11.08	1.25	22.75	18	16.63	15.00	242.4
VP1024068	20	Gear	5.25	13.80	45.00	12.6	1.25	25.00	18	18.88	14.63	396.0
VP1024069	24	Gear	6.13	13.80	51.63	13.3	1.25	29.50	18	22.13	18.00	572.0

PRODUCT NOTES

- Specifications subject to change without notice
- All dimensions are in inches and weights in pounds
- Flange gaskets are not needed; seat face seals against mating flange

Gardner Denver Engineered Products Division

100 Gardner Park, Peachtree City, GA 30269
 Phone: 800-982-3009 / 770-632-5000
 Fax: 770-486-5628
 E-mail: blowersmktg@gardnerdenver.com
 Web: www.gardnerdenver.com



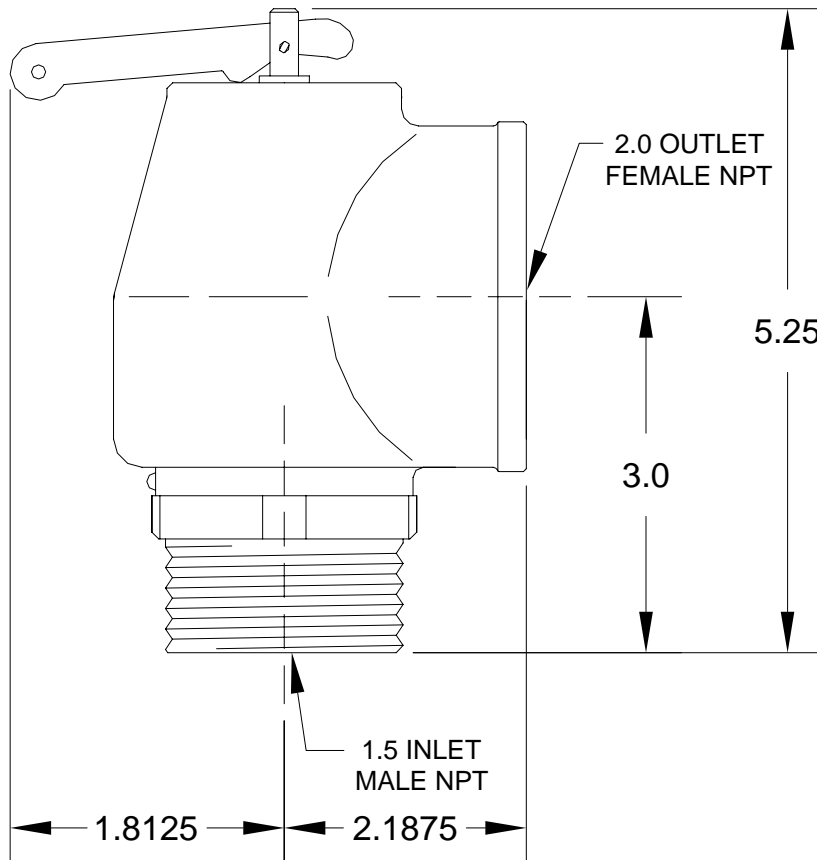
"Over 145 Years of Leadership"

SPECIFICATION

- All Bronze Construction
- Flat seat with Teflon faced disc for positive non-stick seal
- Top guided stem and high capacity output
- Positive condensate drainage from seat area
- 15 PSI maximum pressure rating
- Factory pressure setting

PRESSURE SETTING & PART NUMBER

PRESSURE SETTING	PART NUMBER
3 PSI	007882010AKO
5 PSI	007882010AAO
6 PSI	007882010ABO
7 PSI	007882010ACO
8 PSI	007882010ADO
9 PSI	007882010AEO
10 PSI	007882010AFO
11 PSI	007882010AGO
12 PSI	007882010AHO
13 PSI	007882010AJO


PRODUCT NOTES

1. Information is approximate, subject to change without notice, and not for construction use unless certified
2. All dimensions are in inches

Gardner Denver Engineer Products Division

100 Gardner Park, Peachtree City, GA 30269
 Phone: 800-982-3009 / 770-632-5000
 Fax: 770-486-5628
 E-mail: blowersmktg@gardnerdenver.com
 Web: www.gardnerdenver.com



"Over 145 Years of Leadership"

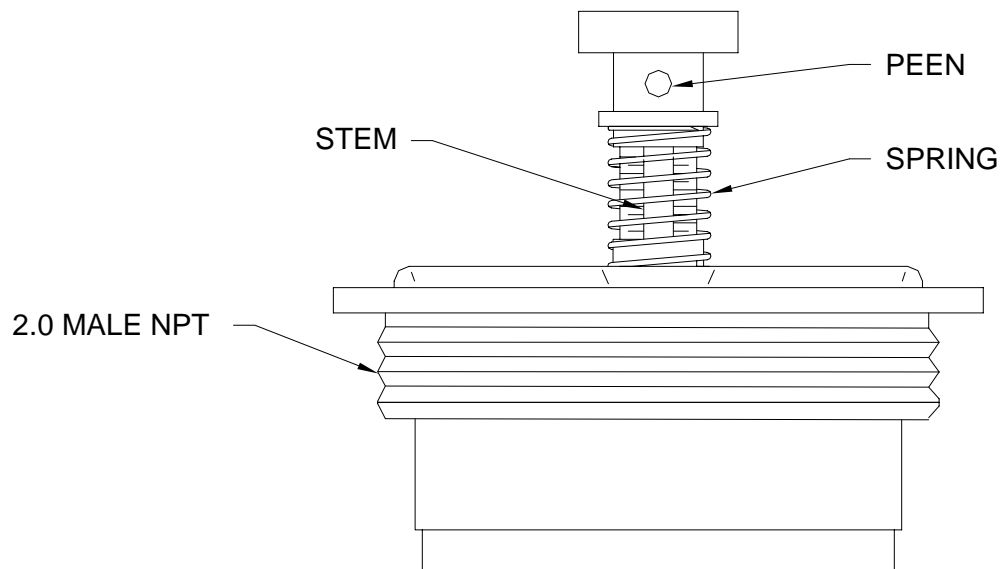
SPECIFICATION

- Brass Construction
- Field Adjustable
- Vacuum Range 4 – 14 inches Hg

INSTALLATION

Thread 2" Male NPT into vacuum line upstream from vacuum producer. Then, with vacuum producer running, tighten valve nut against spring until valve opens under desired vacuum level. Turn off vacuum producer and remove valve. With center punch, peen valve nut into slot in valve stem. Thread valve back into line.

PART NUMBER - 007881000AAO



HEIGHT - 4.25
WIDTH - 2.875
WEIGHT - 1.5

PRODUCT NOTES

1. Information is approximate, subject to change without notice, and not for construction use unless certified
2. All dimensions are in inches and weight in pounds

Gardner Denver Engineered Products Division

100 Gardner Park, Peachtree City, GA 30269

Phone: 800-982-3009 / 770-632-5000

Fax: 770-486-5628

E-mail: blowersmktg@gardnerdenver.comWeb: www.gardnerdenver.com

11/2006 Page 1 of 1 CF1496278 Vs 00

*"Over 145 Years of Leadership"*

SPECIFICATIONS

BODY:.....Cast Iron (Flanged & Wafer) 125#/150# Drilling
 Carbon Steel (Threaded)
 SEALING MEMBER:.....High Quality Silicone, 500° F Max. Rating
 INTERNALS:.....Aluminum
 DESIGN:.....Springless & Seatless
 CWP THREADED:.....150 PSI Rating
 CWP FLANGED:.....50 PSI (2"-14") & 125 PSI (16"-24") Rating
 CWP WAFER:.....125 PSI Rating

DIMENSIONAL DATA – Threaded Type

PART NO.	SIZE	A	B	C	WGT.
BA100620000	2.0	4.00	2.38	2.81	2.0
BA100621000	2.5	5.00	2.88	3.31	2.8
BA100622000	3.0	5.50	3.50	4.12	4.5
BA100623000	4.0	6.00	4.50	5.12	6.9
BA100624000	5.0	7.00	5.56	6.19	11.0

DIMENSIONAL DATA – Flange Type (FF)

PART NO.	SIZE	A	B	C	D	E	WGT.
BA100601000	2.0	4.50	6.00	0.75	4	4.75	12.5
BA100602000	2.5	5.00	7.00	0.75	4	5.50	19.0
BA100603000	3.0	5.00	7.50	0.75	4	6.00	22.0
BA100604000	4.0	5.50	9.00	0.75	8	7.50	31.0
BA100605000	5.0	6.00	10.00	0.88	8	8.50	37.0
BA100606000	6.0	7.00	11.00	0.88	8	9.50	53.0
BA100607000	8.0	9.00	13.50	0.88	8	11.75	86.0
BA100608000	10.0	11.00	16.00	1.00	12	14.25	127.0
BA100609000	12.0	13.00	19.00	1.00	12	17.00	210.0
BA100610000	14.0	15.00	21.00	1.13	12	18.75	220.0
BA100611000	16.0	17.00	23.50	1.13	16	21.25	375.0
BA100612000	18.0	19.00	25.00	1.25	16	22.75	440.0
BA100613000	20.0	21.00	27.50	1.25	20	25.00	525.0
BA100614000	24.0	25.00	32.00	1.38	20	29.50	775.0

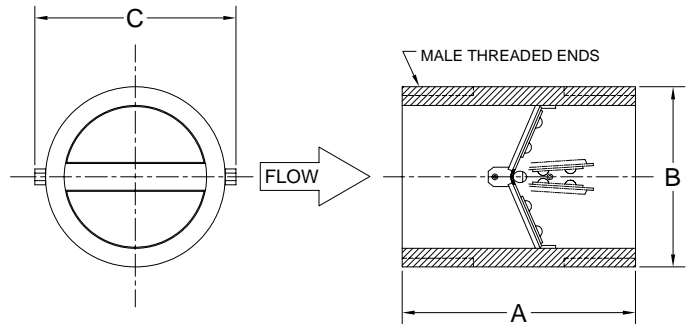
DIMENSIONAL DATA – Wafer Type

PART NO.	SIZE	A	B	C	WGT.
BA100651000	2.0	1.38	4.25	0.50	4.0
BA100652000	2.5	1.62	5.50	0.56	7.0
BA100653000	3.0	1.88	6.00	0.69	10.0
BA100654000	4.0	2.38	7.50	0.88	12.0
BA100655000	5.0	2.88	9.00	1.13	15.0
BA100656000	6.0	3.38	10.50	1.50	25.0
BA100657000	8.0	4.38	13.00	2.25	45.0
BA100658000	10.0	5.38	14.87	2.50	70.0
BA100659000	12.0	6.38	17.50	3.00	120.0
BA100660000	14.0	7.38	21.00	3.25	175.0
BA100661000	16.0	8.38	23.50	3.75	220.0
BA100662000	18.0	9.38	25.00	4.25	230.0
BA100663000	20.0	10.38	27.50	4.75	320.0
BA100664000	24.0	12.38	32.00	5.75	410.0

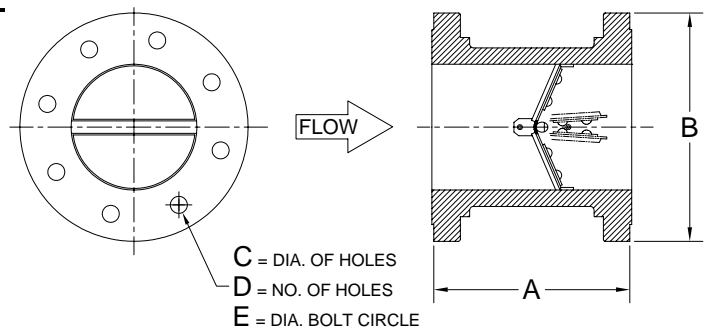
PRODUCT NOTES

- Information is approximate, subject to change without notice, and not for construction use unless certified
- All dimensions are in inches and weights in pounds

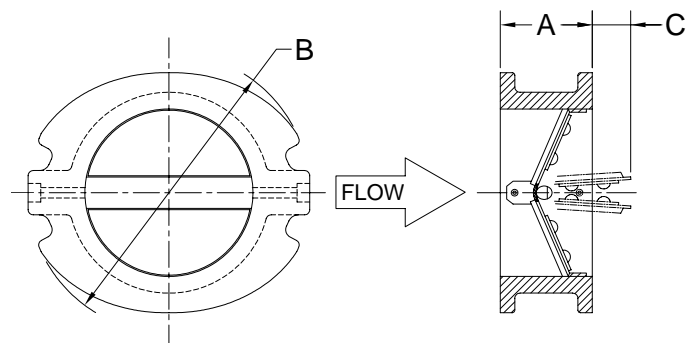
THREADED CHECK VALVE



FLANGED CHECK VALVE



WAFER CHECK VALVE



Gardner Denver Engineered Products Division

100 Gardner Park, Peachtree City, GA 30269
 Phone: 800-982-3009 / 770-632-5000
 Fax: 770-486-5628
 E-mail: blowersmktg@gardnerdenver.com
 Web: www.gardnerdenver.com



"Over 145 Years of Leadership"