

# Gardner Denver® Drum® STP 125 Stainless Steel Food & Chemical Pump



## Features & Benefits

- Meets 2007 3A specifications
- Trilobe rotor profile provides quiet and smooth operation
- Low shaft deflection enables high pressure capability and longer seal life
- Front loaded seal can be changed without removing the pump case
- New seal design allows you to choose the right seal type for your application (O-ring, double lip or mechanical seals)
- Sealing surface is a stainless steel shaft sleeve for long life and is easily replaceable
- Universal mounting feet for horizontal or vertical product flow
- Positive displacement, 3 lobe rotor design
- Bi-rotational
- Relief valve protection in either rotation
- Lightweight and compact design specifically for tank truck applications
- Quick strip design for ease of maintenance and cleaning
- Suitable for cleaning in place (CIP)
- Tapered rotor lock nuts with sealed splines

The STP125 stainless pump is specifically designed for the transfer of food grade products or chemicals from tank trailers. The new seal design offers the option of O-ring, double lip or mechanical seals. The quick strip design and front loading seals provide easy cleaning and maintenance. The non-contacting rotors assure you of a contamination-free product with flows up to 232 gallons per minute. Using Computational Fluid Dynamics techniques, the trilobe rotors and port design ensure quiet, pulse-free, cavitation-resistant flow.

**GD**  
**GARDNER DENVER™**

*Experience Proven Results™*

# STP125 Stainless Steel Food & Chemical Pump

## Specifications

- Speed range: 0–750 rpm
- Maximum pressure: 140 psi (relief valve set for 100 psi)
- Flow rates: Up to 232 gpm
- Weight: 145 lbs. (with relief valve)
- Suitable for temperatures up to 300°F

## Seals

- Standard: Nitrile O-ring seal assembly
- Optional O-ring Material: EPDM or Viton® and Double Lip seal configurations available
- Mechanical seals

## Ports

- Standard: 3" male ACME
- Optional: 3" male camlock or 3" male NPT (special order)

## Drives

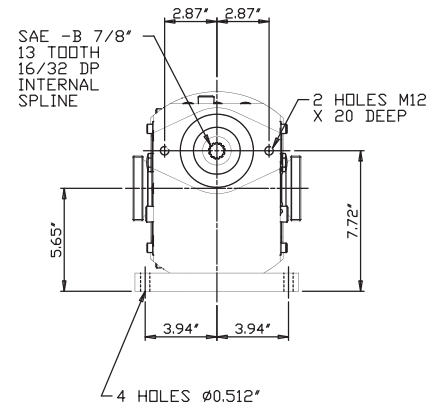
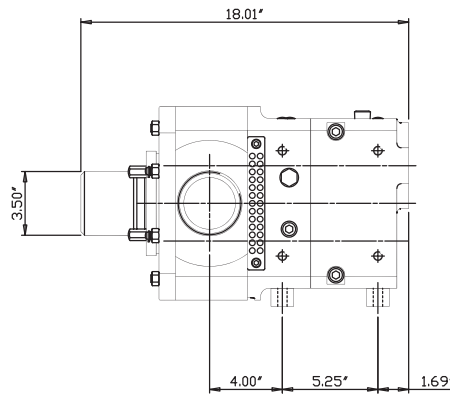
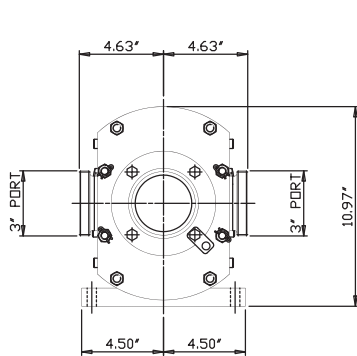
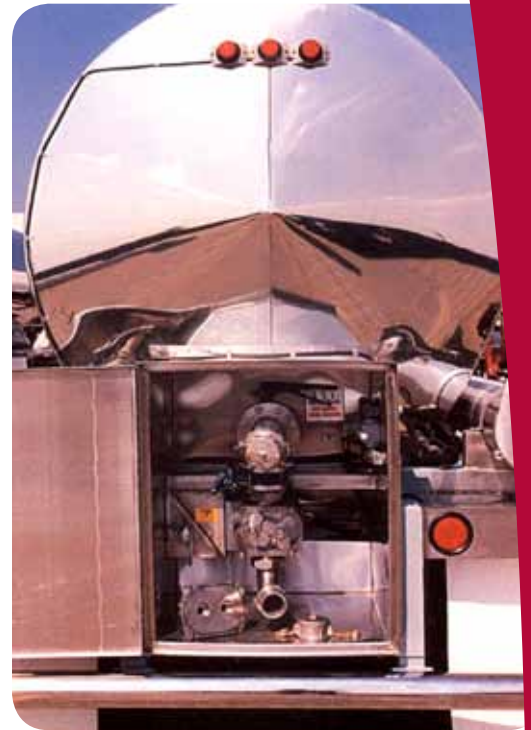
- Hydraulic direct mount
- Top shaft



Handy rotor removal tool is provided with every pump. Ceramic coated seal sleeves provide long life.



Optional Heat Saddles



# Gardner Denver®

[www.GardnerDenverProducts.com](http://www.GardnerDenverProducts.com)

Gardner Denver, Inc. 1800 Gardner Expressway, Quincy, IL 62305  
Customer Service Department  
Telephone: (800) 372-2222 FAX: (217) 221-8780



Member



©2010 Gardner Denver, Inc. Printed in U.S.A. GDT-STP-125 1st Ed. 10/10  
Supersedes GDD-2-113



Please recycle after use.