



ÜÇ BEYLER A.Ş.

aquaflex ...



aquaflex...



ADD230-9"

FINE BUBBLE

DISC DIFFUSER

TECHNICAL DATA SHEET

Üçevler Mah. 27.Sokak 18.Blok No : 36/1 Nilüfer / BURSA

Δ Tel : +90 224 441 12 08 - 09 Δ Fax: +90 224 441 10 15

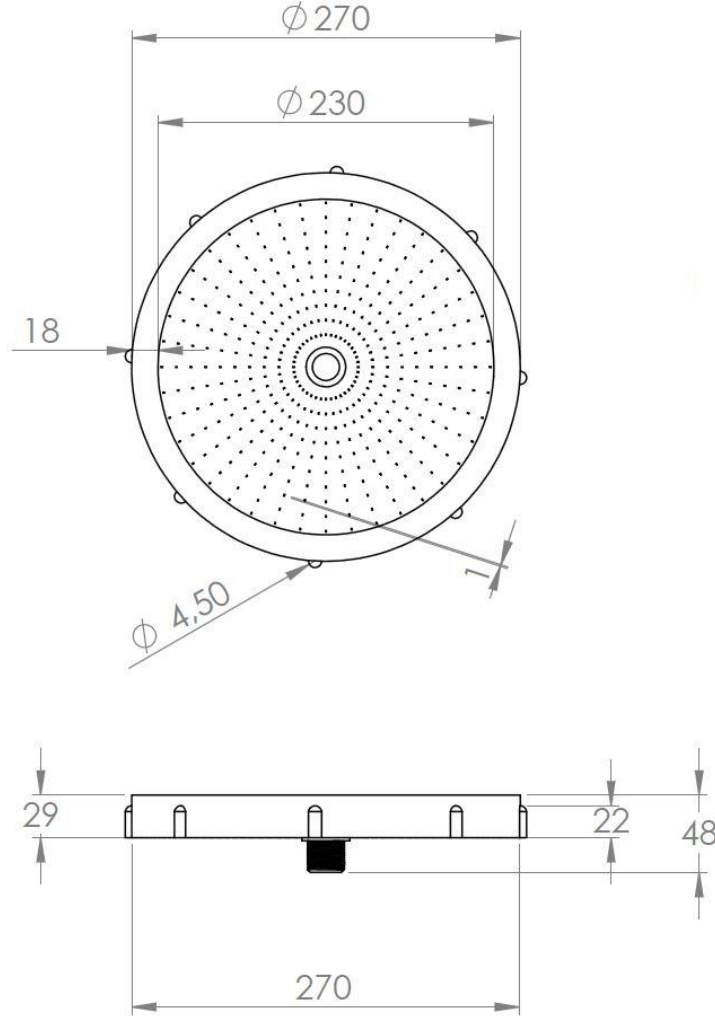
e-mail: ucbeyler@aquaflex.com.tr

web : www.aquaflex.com.tr



Fine bubble disc diffusers are most commonly used model for biological treating of waste water. **aquaflex...** disc diffusers have modern design which guarantee best performance, best oxygen transfer, low system head-loss, and simple installation with minimal maintenance required.

Type	Total Height (mm)	Diameter Effective/Total (mm)	Perforated Area (m ³)	Capacity (m ³ /h)	Material of Membrane	Total Weight (kg)	Outlet
ADD230-9"	48	230/270	0,039	2-8	EPDM, Silicon, PTFE Coated	0,55	¾" or 1" NPT male



Qualities Of aquaflex Fine Bubble Disc Diffuser

- Polypropylene (30% PP GFR) body and membrane from EPDM rubber, Silicon or PTFE Coated.
- **aquaflex** membrane has conically designed pores to have best oxygen transfer with bubbles of an average diameter <3 mm, and best sealing when airflow is cut off. Membrane has thicker center without pores which additionally covers inlet and eliminate clogging.
- High oxygen transfer efficiency even with low air capacity.



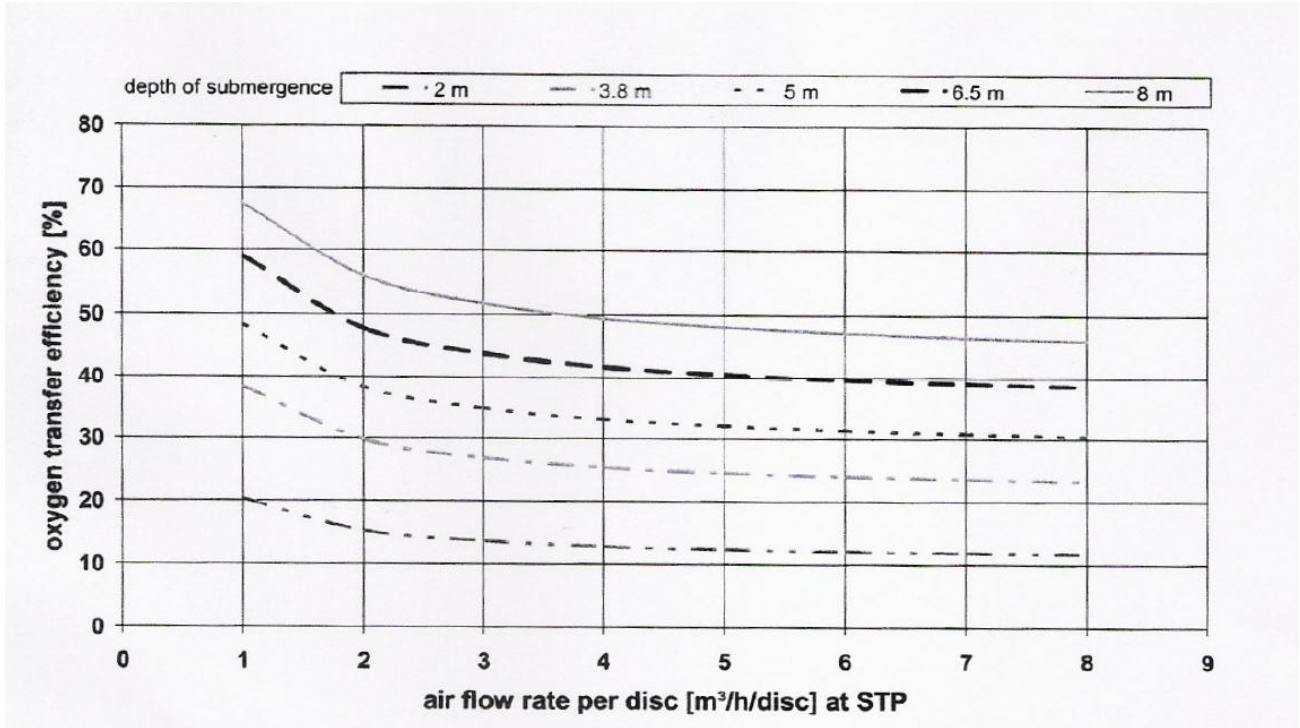
ÜÇ BEYLER A.Ş.

aquaflex ...



TZW | TECHNOLOGIEZENTRUM WASSER

SOTE DIAGRAM OF AQUAFLEX ADD230-9" FINE BUBBLE DISC DIFFUSER



Üçevler Mah. 27.Sokak 18.Blok No : 36/1 Nilüfer / BURSA

Δ Tel : +90 224 441 12 08 - 09 Δ Fax: +90 224 441 10 15

e-mail: ucbeyler@aquaflex.com.tr

web : www.aquaflex.com.tr